

# ROTAPULS

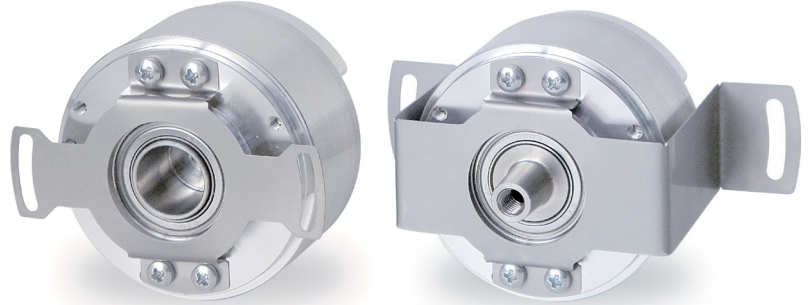
Feedback encoder for servo motors

Series

CB59 • CB60



- Feedback encoder for servo- and gearless motors
- Absolute sine/cosine track for rotor position



CB59-CB60

## ENVIRONMENTAL SPECIFICATIONS

Shock:	100 g, 6 ms (acc. to MIL STD 202F)
Vibrations:	10 g, 5-2000 Hz (acc. to MIL STD 202F)
Protection:	IP40
Operating temperature range:	-20°C+100°C (-4°F +212°F)
Storage temperature range:	-20°C+100°C (-4°F +212°F) (98% R.H. without condensation)

## MECHANICAL SPECIFICATIONS

Dimensions:	see drawing
Shaft diameter:	CB59: hollow, Ø 12.7, 15 mm CB60: 1:10 taper
Shaft loading (axial, radial):	40 N max.
Shaft rotational speed:	12000 rpm max.
Starting torque at 20°C:	≤ 0,8 Ncm (typical)
Bearings life:	2 x 10 <sup>9</sup> rev. min.
Weight:	~ 0,4 kg (14,1 oz)
Electrical connections:	PCB connector (connection cable to be ordered separately)

## ELECTRICAL SPECIFICATIONS

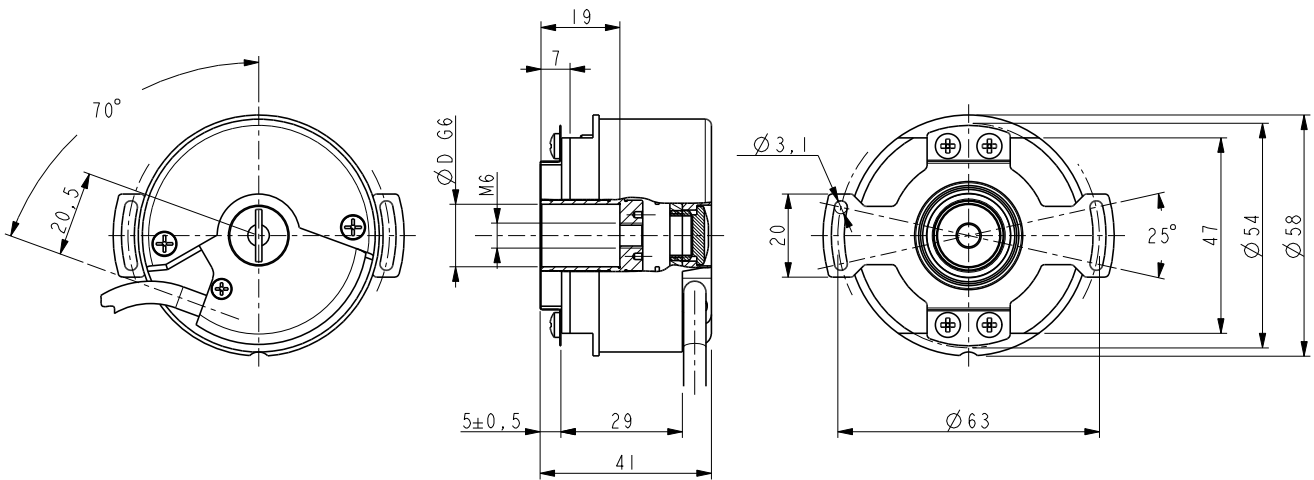
Resolution (PPR):	2048 + Z-track
Counting frequency:	300 kHz max.
Output circuits:	1Vpp
Power supply:	+5V±5%
Consumption:	130 mA max.
Output current (each channel):	40 mA max.
Optoelectronic life:	100.000 hrs min.

## MATERIALS

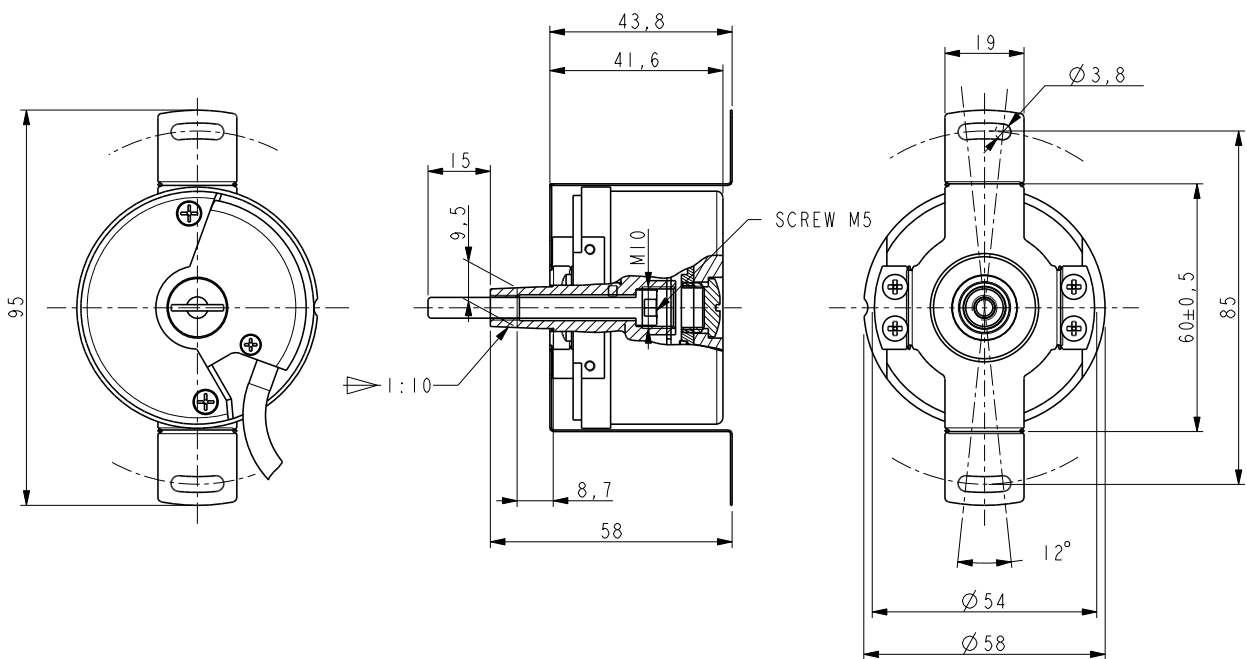
Flange:	aluminium, non corroding, UNI EN AW-6082
Housing:	aluminium, non corroding, UNI EN AW-6082
Bearings:	ABEC 5
Shaft:	stainless steel, non-magnetic - UNI EN 4305
Light source:	GaAl diodes

## ACCESSORIES

EC-CB59-1:	Connection cable 1 m
EC-CB59-4:	Connection cable 4 m
EC-CB59-7:	Connection cable 7 m



CB59



CB60

Order code

CB59	-	X	-	XXXX/X	X	XXX	/Sxxx
CB60		(a)		(b)	(c)	(d)	(e)

(a) OUTPUT CIRCUIT

V = 1 V<sub>pp</sub>

(b) PULSE RATE (PPR)

2048/1

Accessories (to be ordered separately)  
EC-CB59: connection cable

(c) SUPPLY VOLTAGE

1 = +5V ±5%

(d) SHAFT DIAMETER

P12 = 12,7 mm

15 = 15 mm

C10 = 1:10 taper (only for CB60)

(e) CUSTOM VERSION