

# ROTAPULS

The low-cost heavy duty solution

Series

SGSM • SGSD



- Low-cost heavy duty solution
- Sealed housing, IP68
- Redundant version SGSD
- Up to 50 mm hollow shaft
- Outdoor & mobile equipment applications



SGSM  
SGSD

## ENVIRONMENTAL SPECIFICATIONS

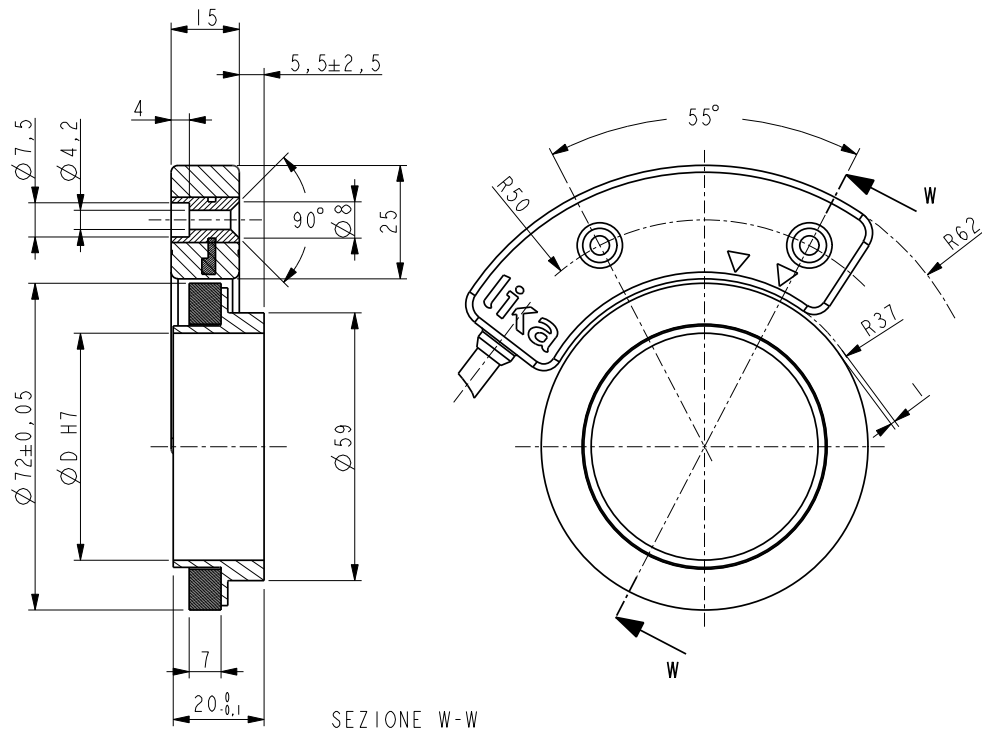
Operating temperature range:	-40°C ÷ +85°C (-40°F +185°F)
Storage temperature range:	-40°C ÷ +100°C (-40°F +212°F)
Protection:	IP68

## MECHANICAL SPECIFICATIONS

Dimensions:	see drawing
Housing:	Macromelt OM 646-EN
Connection:	Lika Hi-flex cable, 2,0 m
Gap sensor-ring:	0,1 ÷ 1,5 mm
Shaft rotational speed:	10000 rpm max. (mechanical)
Resolution:	256, 512, 1024, PPR
System accuracy:	± 0,05°
Repeatability:	±1 increment

## ELECTRICAL SPECIFICATIONS

Power supply:	+5Vdc ±5%, +10Vdc ÷ +30Vdc
Output circuits:	Line Driver, Push-Pull
Output signals:	AB, /AB
Counting frequency:	100 kHz max.
Output current (per channel):	40 mA max.
Input current:	70 mA max.
Protection:	against inversion of polarity (except 5Vdc version) and short-circuit



SGSM  
SGSD

Order code

SGSM	-	X	-	X	-	XX	-	X	-	XX
SGSD		Ⓐ		Ⓑ		Ⓒ		Ⓓ		Ⓔ

Ⓐ OUTPUT CIRCUITS

Y = Push Pull (AB, /AB)  
L = Line Driver (AB, /AB)

Ⓑ SUPPLY VOLTAGE VS OUTPUT CIRCUIT

1 = +5V±5% (L output circuit)  
2 = +10V÷ +30V (Y output circuit)

Ⓒ RESOLUTION

16 = 256 PPR  
32 = 512 PPR  
64 = 1024 PPR

Ⓓ INDEX

N = without Index

Ⓔ CONNECTIONS

- = 1 m cable  
L2 = 2 m cable  
Lx = x m cable