

ROTAPULS

Incrementals Encoders

series

C58A • C58R



C58A - C58R

ENVIRONMENTAL SPECIFICATIONS

Shock:	100 g, 6 ms (acc. to MIL STD 202F)
Vibrations:	10 g, 5-2000 Hz (acc. to MIL STD 202F)
Operating temperature range:	-20°C+70°C (-4°F +158°F)
Storage temperature range:	-20°C +80°C (-4°F +176°F) (98% R.H.without condensation)
Protection:	IP64
Options:	• IP65 Protection (3000 rpm max, torque 1 Ncm)

MECHANICAL SPECIFICATIONS

Dimensions:	see drawing
Shaft hollow:	Ø 14, 15 mm
Shaft loading (axial and radial):	30 N max
Shaft rotational speed:	6000 rpm max
Starting torque at 20°C:	≤ 1,5 Ncm (typical)
Moment of inertia:	~30 gcm ²
Bearings life:	10 ⁹ rev. min.
Weight:	~ 0,4 kg (14,1 oz)

ELECTRICAL SPECIFICATIONS

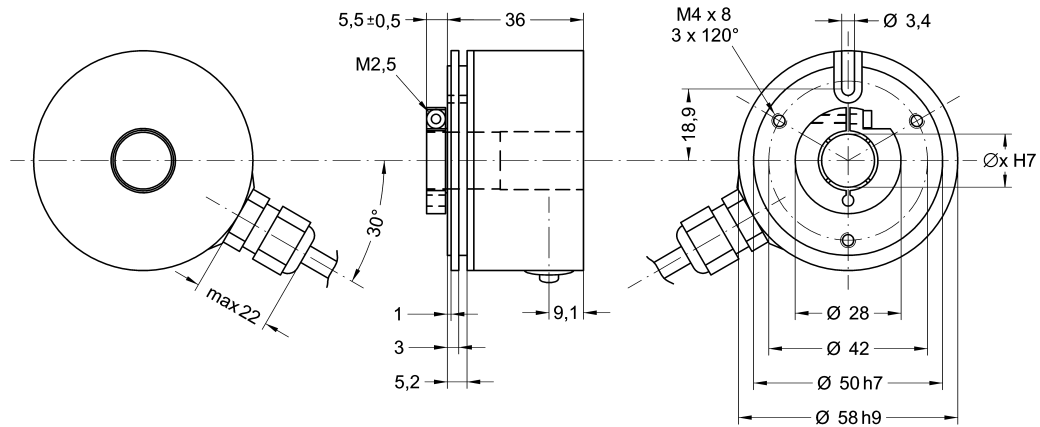
STD pulse rate (other PPR upon request):	6-10-12-15-25-36-40-45-50-60-80-90-100-180 200-250-256-300-360-400-500-512-900-1000 1024-1500-2000-2048-2500
Power supply:	+5V±5%, +10V +30V,+5V +30V
Output circuits:	Push-Pull, Line Driver, PP/LD
Output current (per channel):	40 mA max.
Output frequency:	100 kHz max.
Input current:	70 mA max.
Protection:	against inversion of polarity (except +5V version) outputs are protected against short-circuit (except Line Driver version)
Optoelectronic life:	100.000 hrs min.
Option:	output freq. up to 300 KHz

MATERIALS

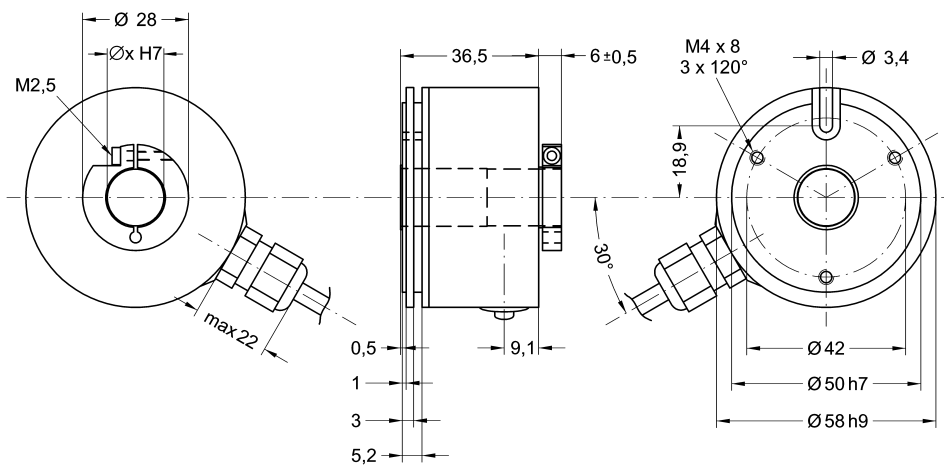
Flange:	non corroding
Housing:	non corroding
Bearings:	ABEC 5
Shaft:	stainless steel, non-magnetic
Light source:	GaAl diodes

ACCESSORIES

EDE9S:	9 pin DSub mating connector
BR1:	Reducing sleeves



C58A



C58R

ORDERING CODE

ADDITIONAL CODE (indicate only if necessary)

