

ROTAPULS

Incremental encoder

series

CK61



- Integrated flexible coupling
- Direct coupling on motors
- Expansion shaft



CK61

ENVIRONMENTAL SPECIFICATIONS

Schock:	100 g, 6 ms (MIL STD 202F)
Vibrations:	10 g, 5-2000 Hz (MIL STD 202F)
Operating temperature range:	-20°C +70°C (-4°F +158°F)
Storage temperature range:	-20°C +80°C (-4°F +176°F)
	(98% R.H. without condensation)
Protection:	IP65 (mounted)
Option:	• Operating temperature range: -40°C +100°C (-40°F +212°F)

MECHANICAL SPECIFICATIONS

Dimensions:	see drawing
Shaft hollow:	Ø 10, 12 mm
Shaft loading (axial and radial):	30 N max.
Shaft rotational speed:	6000 rpm max.
Starting torque at 20°C	≤ 1,5 Ncm
Moment of inertia:	~ 30 gcm ²
Bearing life:	10 ⁹ Umdr./giri
Weight:	~ 0,4 kg

ELECTRICAL SPECIFICATIONS

STD pulse rate:	4-5-6-10-12-15-16-20-25-30-36-40-45-50-60 70-80-90-100-125-127-128-150-160-180-200 250-300-314-360-400-500-512-600-900-1000 1024-1250-1500-1800-2048-2500-3600
Power supply:	5V ±5%, +10V +30V, +5V +30V
Output circuits:	NPN o.c., PNP o.c., Push-Pull, Line Driver, PP/LD
Output current (per channel):	40 mA max.
Output frequency:	100 kHz max.
Input current:	70 mA max.
Protection:	against inversion of polarity against short-circuit (except Line Driver version)
Optoelectronic life:	min. 100.000 h
Option:	• Output frequency up to 300 kHz

MATERIALS

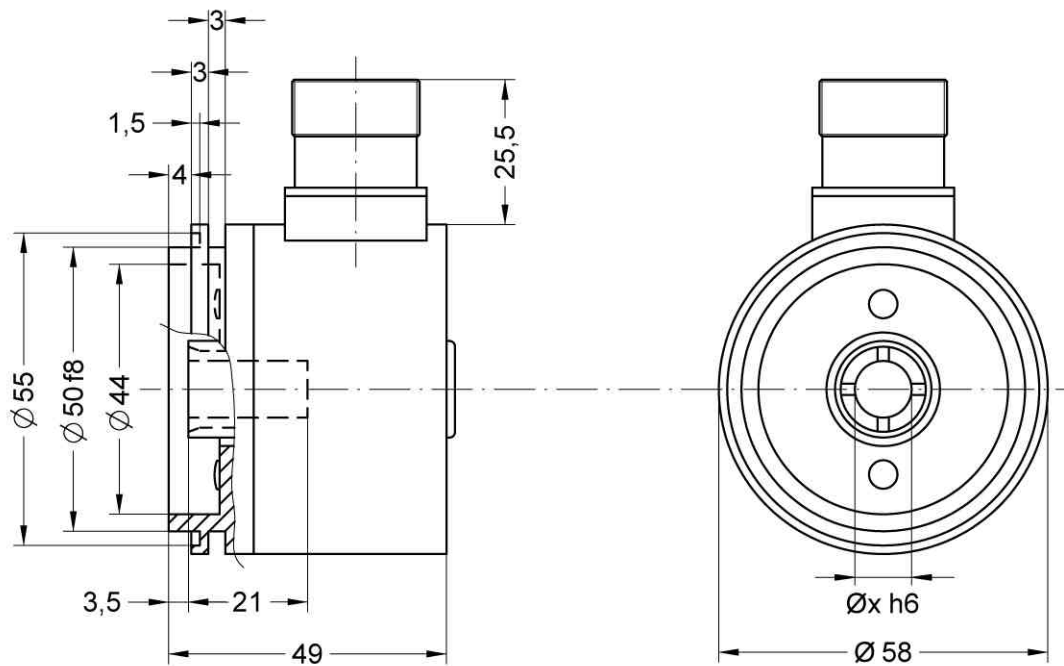
Flange:	non corroding
Housing:	non corroding
Bearings:	ABEC 5
Shaft:	brass
Light source:	GaAl diodes



www.liko.biz
• Data-sheet
• User manual

ACCESSORIES

EPFL121:	12 pin CONNEL mating connector
LKM-386	fixing clamps



ORDERING CODE

ADDITIONAL CODE (indicate only if necessary)

