

LINEPULS

Magnetic rings

series

MRI/xxx



- Modular, flexible and robust encoder ring systems in combination with magnetic sensors
- Custom specific designs available up to 600 mm outside diameter



MRI/xxx



ENVIRONMENTAL SPECIFICATIONS

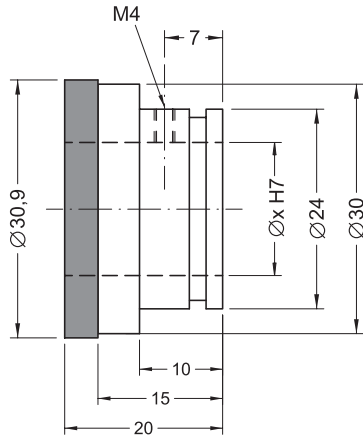
Operating temperature range:	-40°C ÷ +120°C (-40°F +248°F)
Storage temperature range:	-40°C ÷ +120°C (-40°F +248°F)
Protection:	IP67

MECHANICAL SPECIFICATIONS

Dimensions:	see drawing
Ring support:	Aluminium or steel
Rotational speed:	MRI/31, MRI/48 = 20000 rpm max. MRI/114, MRI/284 = 1500 rpm max.
Magnetic poles:	see ordering code
System accuracy:	± 0,1°
Repeatability:	±1 increment

ACCESSORIES

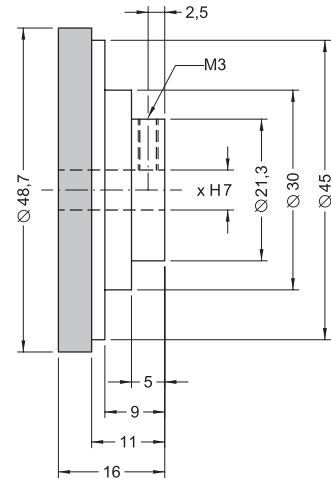
SME2:	Magnetic sensor
SME1:	Magnetic sensor
SME5:	Magnetic sensor
SMS:	Magnetic sensor
SMX:	Magnetic sensor



MRI/31

ORDERING CODE

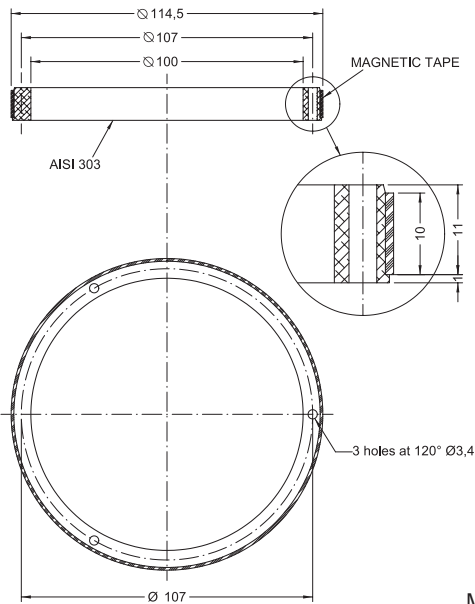
XXX	-	XX	-	XX	
SERIES					
MRI/31					
MAGNETIC POLES/PITCH				SHAFT-Ø	
48 Pole/poli @ 2 mm	48-2	16	16 mm		
20 Pole/poli @ 5 mm	20-5	19	19 mm		



MRI/48

ORDERING CODE

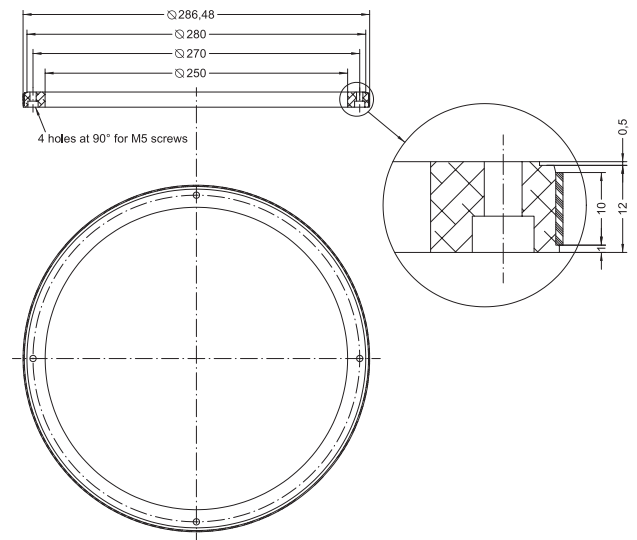
XXX	-	XX	-	X	
SERIES					
MRI/48					
MAGNETIC POLES/PITCH				SHAFT-Ø	
32 Pole/poli @ 5 mm	32-5	6	6 mm		



MRI/114

ORDERING CODE

XXX	-	XX	-	XXX	
SERIES					
MRI/114					
MAGNETIC POLES/PITCH				SHAFT-Ø	
72 Pole/poli @ 5 mm	72-5	100	100 mm		
182 Pole/poli @ 2 mm	182-2				



MRI/284

ORDERING CODE

XXX	-	XX	-	XXX	
SERIES					
MRI/284					
MAGNETIC POLES/PITCH				SHAFT-Ø	
900 Pole/poli @ 1 mm	900-1	250	250 mm		
450 Pole/poli @ 2 mm	450-2				
180 Pole/poli @ 5 mm	180-5				