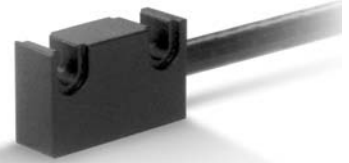
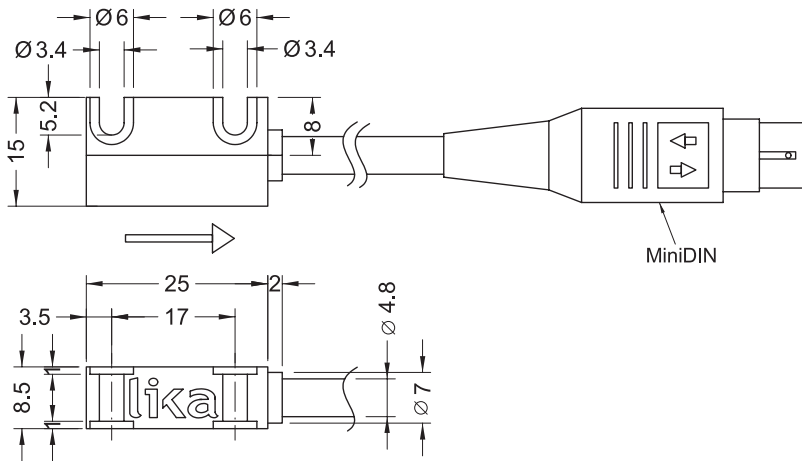
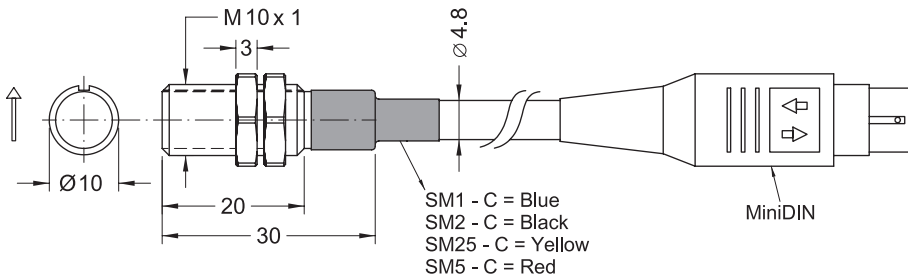


series

SMx



SM-R



SM-C

- Compact sensors with connectors for position displays and interpolation boxes

ENVIRONMENTAL SPECIFICATIONS

Operating temperature range:	-25°C ÷ +85°C (-13°F +185°F)
Storage temperature range:	-25°C ÷ +85°C (-13°F +185°F)
Protection:	IP67

MECHANICAL SPECIFICATIONS

Dimensions:	see drawing
Housing:	aluminium
Connections:	MiniDIN
Cable length:	max. 20 m (SM25 max. 2,0 m)
Gap sensor-magnetic tape:	SM2 0,1 ÷ 1,0 mm (@ MT20) SM25 0,1 ÷ 1,0 mm (@ MT25) SM5 0,1 ÷ 2,0 mm (@ MT50)
Travel speed:	max 16 m/s

ACCESSORIES

EBOX (SM5):	Converter
LD120 (SM5):	LED Display
LD200 (SM2, SM5):	LED Display
LD140 (SM25):	Battery Display
MT20/MT25/MT50:	Magnetic tape
PS1:	Protection profile

ORDERING CODE

