

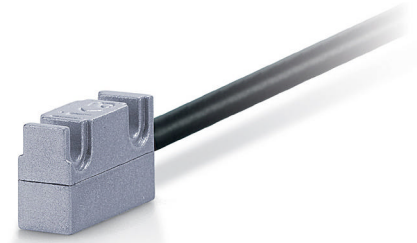
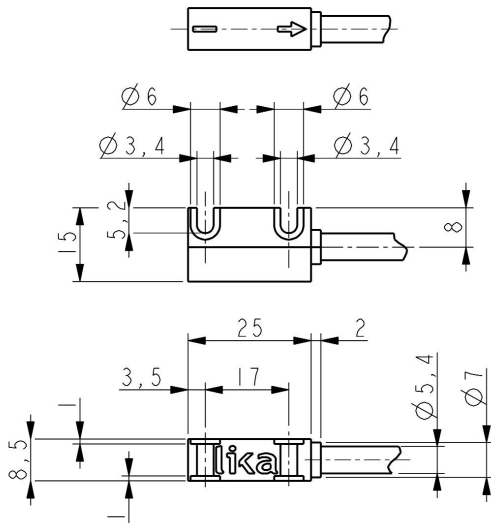
LINEPULS

Miniature magnetic sensor with SIN/COS output

www.likabiz

series

SMSR



SMSR

ENVIRONMENTAL SPECIFICATIONS

Operating temperature range:	-25°C ÷ +85°C (-13°F, +185°F)
Storage temperature range:	-40°C ÷ +100°C (-40°F, +212°F)
Protection:	IP68

MECHANICAL SPECIFICATIONS

Dimensions:	see drawing
Housing:	zamac die cast
Connection:	Lika Hi-flex cable M8, 2.0 m
Gap sensor-magnetic tape (without cover strip):	0,1 ÷ 0,4 mm
Travel speed:	max 10 m/s (mechanical)
Period length:	1000 µm
Repeatability :	max. 1% of period length

ELECTRICAL SPECIFICATIONS

Power supply:	+5Vdc ±5%
Output circuit:	1Vpp
Output signals:	sine/cosine, ABI /ABI
Counting frequency:	max. 8 kHz (~ 8 m/s)
Output current (per channel):	20 mA max.
Input current:	typically 25 mA, 50 mA max.
EMC:	acc. to EN 61000-6-2 level 3
Protection:	against short-circuit

- Miniature magnetic sensor for linear motors and pick & place applications
- Real-time 1Vpp sine/cosine
- High performance output signals

ACCESSORIES

MT10:	Magnetic tape
LKM-1440:	Tape terminals

ORDERING CODE

