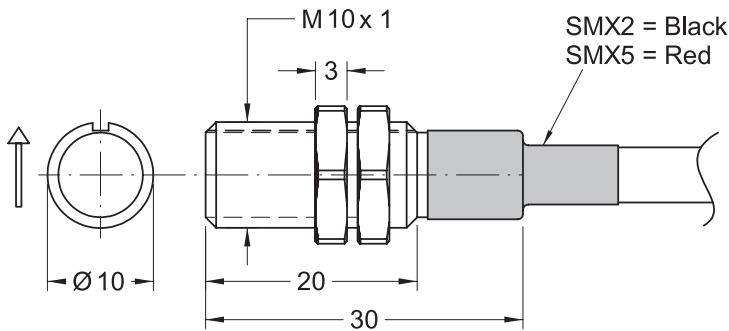


series

SMX2 • SMX5



SMX

- Heavy-duty magnetic sensor
- Quadrature output
- AB signals
- Universal output circuit (Push-Pull & Line Driver)
- M10 steel case
- Gap clearance up to 3.0 mm

ENVIRONMENTAL SPECIFICATIONS

Operating temperature range:	-10°C ÷ +70°C (+14°F +158°F)
Storage temperature range:	-20°C ÷ +80°C (-4°F +176°F)
Protection:	IP67

MECHANICAL SPECIFICATIONS

Dimensions:	see drawing
Housing:	steel
Cable length:	1 m
Gap sensor-magnetic tape:	SMX2 = 0,1 ÷ 2,0 mm SMX5 = 0,1 ÷ 3,0 mm
Resolution:	1 pulse each pair of poles (N-S)

ELECTRICAL SPECIFICATIONS

Power supply:	+5Vdc ÷ +30Vdc
Output circuit:	PP/LD universal circuit
Output signals:	A, /A, B, /B
Output frequency:	7.5 kHz max.
Output current (per channel):	40 mA max
Input current:	50 mA max

ACCESSORIES

MT20 (SMX2):	Magnetic tape
MT50 (SMX5):	Magnetic tape
MRI:	Magnetic rings
MC111:	LED Display

ORDERING CODE

