

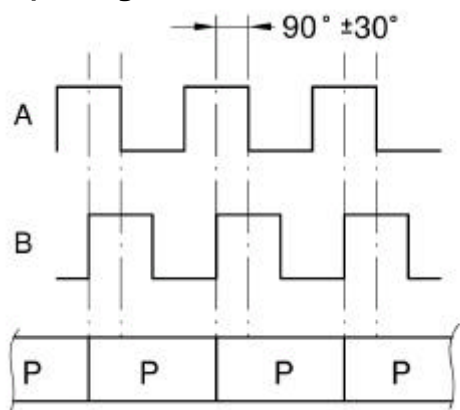
## User manual

### SMX2, SMX5

#### 1 - Electrical connections

Function	Colour	Farbe	Colore
A	Yellow	Gelb	Giallo
/A	Orange	Orange	Arancio
B	Green	Grün	Verde
/B	Brown	Braun	Marrone
+Vdc	Red	Rot	Rosso
0Vdc	Black	Schwarz	Nero

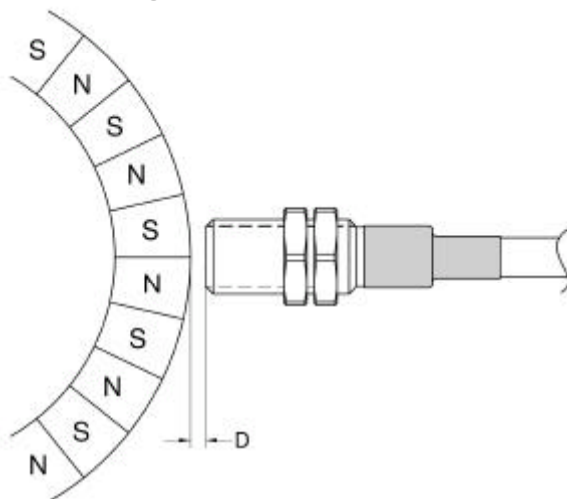
#### 2 - Output signals



#### 2.1 Electrical specifications

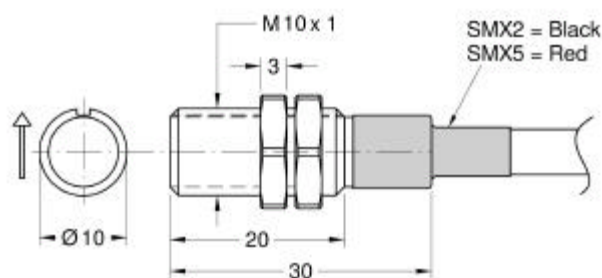
Resolution:	SMX2 = 2 mm SMX5 = 5 mm
Output frequency:	7.5 kHz max.
Power supply:	+5V ÷ 30V
Output circuit:	PP/LD universal circuit
Output signals:	A, /A, B, /B
Output current (per channel):	40 mA max.
Input current:	50 mA max.

#### 3 - Mounting on circular surface



Sensor	Gap Sensor/Magnetic ring (D)
SMX2	0,1 ÷ 2 mm
SMX5	0,1 ÷ 3 mm

#### 4 - Dimensional drawing



#### LIKA Electronic

Via S. Lorenzo, 25 - 36010 carrè (VI) - Italy

Tel. +39 0445 382814

Fax +39 0445 382797

Italy: eMail [info@lika.it](mailto:info@lika.it) - [www.lika.it](http://www.lika.it)

World: eMail [info@lika.biz](mailto:info@lika.biz) - [www.lika.it](http://www.lika.it)