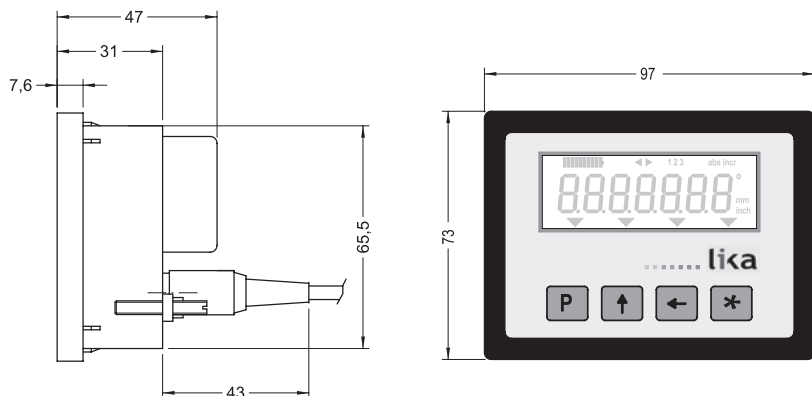


series

LD140



LD140 + SM25

- Quasi-absolute battery powered display
- Plugged sensor
- Mm-inch-degree mode
- Resolution up to 0.001 mm

PARAMETERS

3 Offset values, preset, resolution, mm/inch, angular display mode

ENVIRONMENTAL SPECIFICATIONS

Operating temperature range: 0°C ÷ +50°C (+32°F, +122°F)
 Storage temperature range: -20°C ÷ +80°C (-4°F, +176°F)
 Protection: IP60 front, IP40 back

MECHANICAL SPECIFICATIONS

Dimensions: 96 x 73 x 47 mm
 Cut out: 91,5 x 67,5 mm²
 Display: LCD, 14 mm (-999999 ÷ 999999)

ELECTRICAL SPECIFICATIONS

Power supply: 1,5 V battery
 Consumption: ~ 700 µA
 Measurement speed: < 5 m/s max.
 Input circuit: SM25 magnetic sensor
 Interface: RS232 (optional)

ACCESSORIES

SM25: Magnetic sensor
 MT25: Magnetic tape
 PF4012: Fixing support

ORDERING CODE

