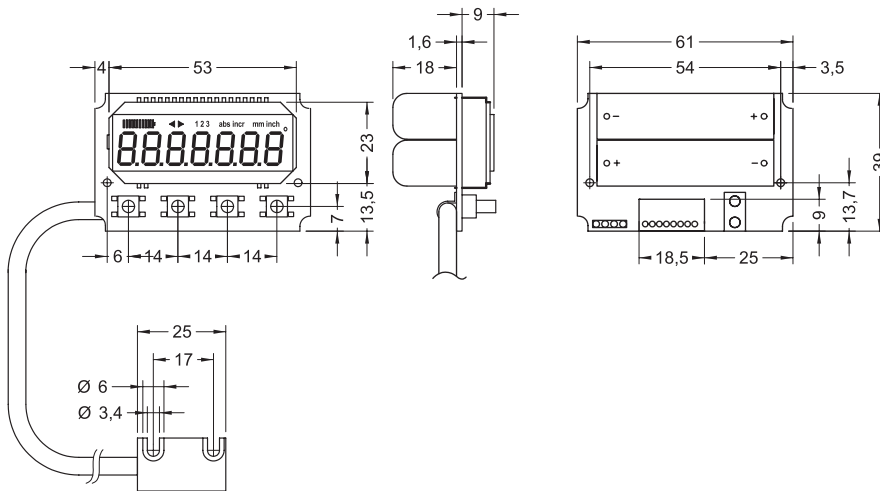


series

LD111



LD111

- Quasi-absolute battery powered display
- Ultracompact OEM version
- Connected sensor
- Mm-inch-degree mode
- Resolution up to 0.01 mm

### PARAMETERS

3 Offset values, preset, resolution, mm/inch, angular display mode

### ENVIRONMENTAL SPECIFICATIONS

Operating temperature range: 0°C ÷ +50°C (+32°F, +122°F)  
 Storage temperature range: -20°C ÷ +80°C (-4°F, +176°F)  
 Protection: IP00

### MECHANICAL SPECIFICATIONS

Dimensions: 61 x 39 x 25 mm  
 Cable length: 5 m max.  
 Display: LCD (-999999 ÷ 999999)

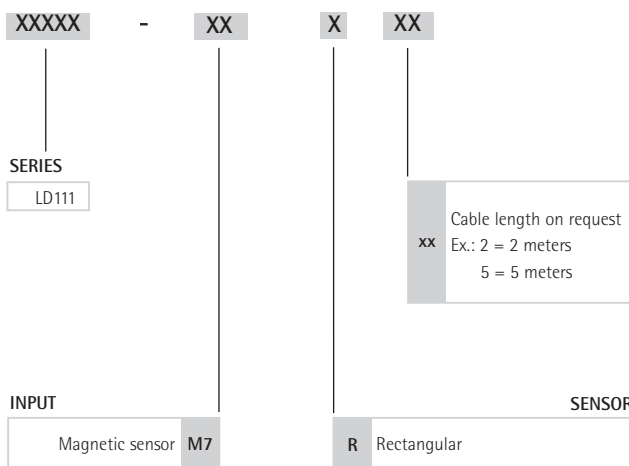
### ELECTRICAL SPECIFICATIONS

Power supply: 2 battery 1,5 V  
 Consumption: ~ 220 µA  
 Measurement speed: < 5 m/s max.

### ACCESSORIES

MT25: Magnetic tape

### ORDERING CODE



www.lika.biz  
 • Data-sheet  
 • Manual