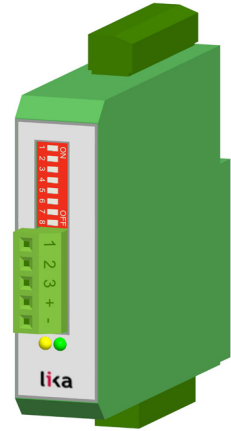
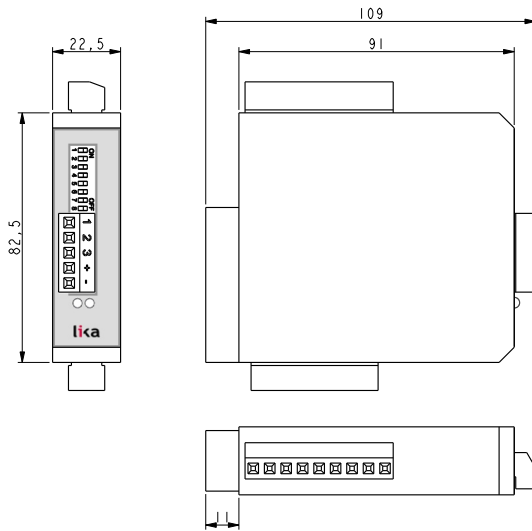
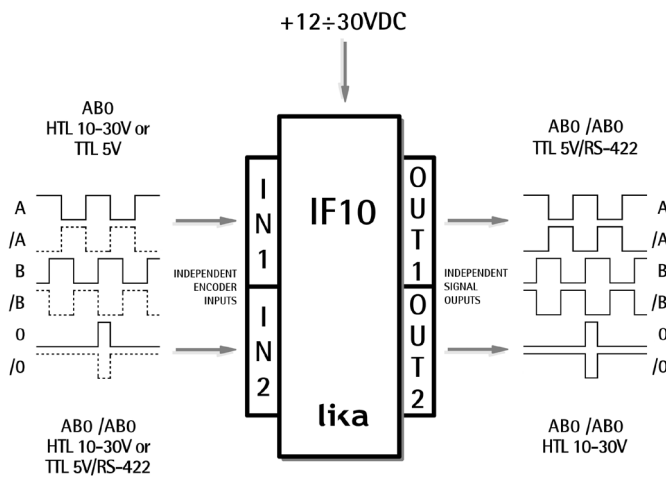


Series

IF10



Order code: IF10



FUNCTIONS

Encoder signal splitter, signal level converter/repeater and encoder cross switcher

ENVIRONMENTAL SPECIFICATIONS

Operating temperature range: 0°C +50°C (+32°F +113°F)
 Storage temperature range: -25°C +75°C (-13°F +158°F)
 Protection: IP40

MECHANICAL SPECIFICATIONS

Dimensions: see drawing
 Electrical connections: screw terminals
 Weight: ~ 0,1 Kg (3,5 oz)

ELECTRICAL SPECIFICATIONS

Power supply: +12Vdc +30Vdc
 Consumption: 50 mA (without sensor)
 Counting frequency: RS422 or TTL differential: 1 MHz
 HTL or TTL: 250 kHz
 Sensor input: see diagram
 Outputs: HTL, TTL, Push-Pull ABO, /ABO 5-30V @ 30 mA